

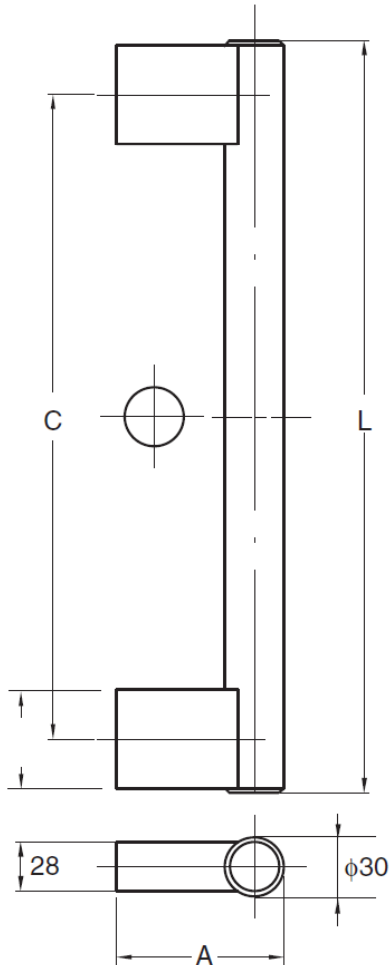
GDSI-3330 Stainless Steel Door Handle

Features

- For use with GDSI mounting kits (sold separately)
- Specific types for interior or exterior installation:
 - Posts for exterior handles are threaded to accept screws
 - Posts for interior handles have set screws for GDSI mounting kits

Material

- Stainless steel 304, satin finish



Part No.		L	C	A
Interior	Exterior			
GDSI-3330-30-30I	GDSI-3330-30-30E	320	300	90
GDSI-3330-30-50I	GDSI-3330-30-50E	520	500	